

KVH Antenna Pedestal Adapter Kit Installation Instructions



Technical Support

If you need technical assistance, please contact KVH Technical Support:

North/South America, Australasia:

Phone: +1 401 847-3327

Email: support@kvh.com

Europe, Middle East, Asia-Pacific, Africa:

Phone: +45 45 160 180

Email: support@kvh.com

This document explains how to use the Pedestal Adapter Kit to mount a KVH antenna to your vessel's existing pre-drilled pedestal. Replace any of the old antennas listed below (on the left) with your new KVH antenna (any of the antennas on the right). Refer to Figure 1 and Figure 2.

Mounting From		Mounting To	
Intellian® v60	F1	TracPhone®	
Intellian v80G	F2	V30, V3-HTS and	T1
JRC® JUE-501	F3	V3-IP	
Sea Tel® 3011	F4	V7-IP	T2
SAILOR® 100 GX	F5	V7-HTS	T3
SAILOR 600	F6	V11-HTS and	T4
SAILOR 800	F7	V11-IP	
SAILOR 900	F8	TracVision®	
		UHD7 and HD7	T5
		HD11 and TV10	T6
		TV3	T7
		TV5	T8
		TV6	T9
		TV8	T10

Tools Required

This procedure requires the following tools:

- 1/2" torque wrench set to 75 in-lbs (1/4" lock nut), or a 9/16" torque wrench set to 20 ft-lbs (3/8" nut), or a 7/8" torque wrench set to 40 ft-lbs (1/2" nut)
- Alcohol-based cleaner and lint-free cloth

Figure 1: Mounting From Old Antennas

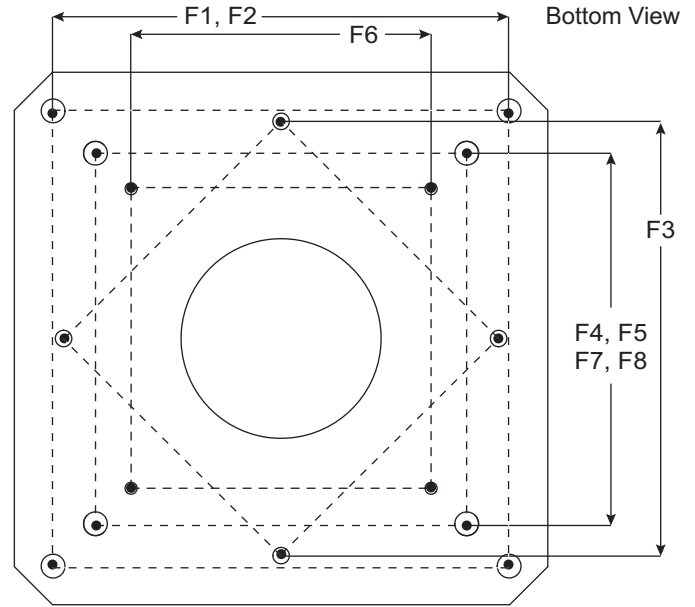
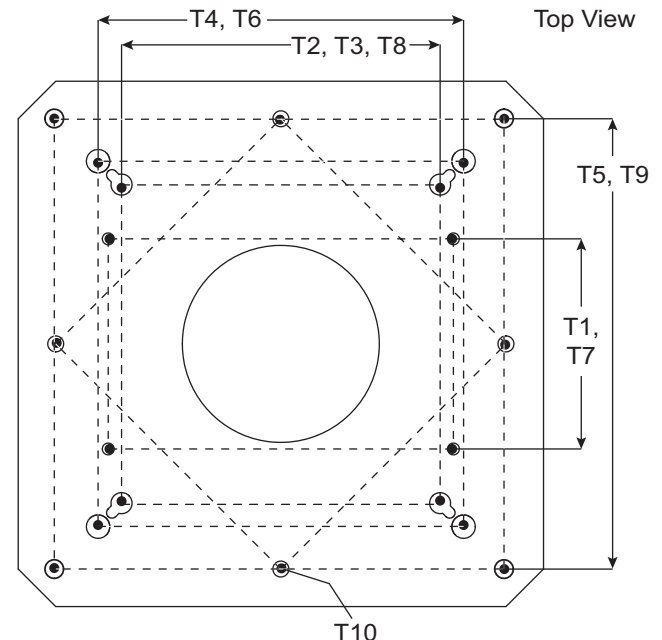


Figure 2: Mounting To KVH Antennas



Mount the Pedestal Adapter

- Using an alcohol-based cleaner and lint-free cloth, clean and dry the existing pedestal's mounting surface.
- If you will run the antenna cables through the center of the pedestal, peel off the paper backing from the supplied foam seal to expose the adhesive. Then press the seal down firmly onto the existing pedestal's mounting surface, ensuring the hole in the seal aligns with the cable access hole in the pedestal (see Figure 3).

IMPORTANT!

If you will run the antenna cables outside the pedestal, do not use the supplied foam seal. Any water that enters the pedestal adapter must be allowed to drain.

- Place the four supplied rubber feet (wider side facing up) over the mounting holes on the existing pedestal's mounting surface.

IMPORTANT!

Ensure the pedestal adapter is oriented so the KVH antenna can be mounted with its Forward arrow facing the bow and parallel to the vessel's centerline.

- Aligning the appropriate mounting holes on the bottom of the pedestal adapter with the rubber feet on the existing pedestal's mounting holes, place the pedestal adapter onto the mounting surface (see Figure 1 and Figure 2 on page 1).
- Choose 1/4", 3/8", or 1/2" hardware from the kit. Use the largest diameter that will fit your pedestal's mounting holes.

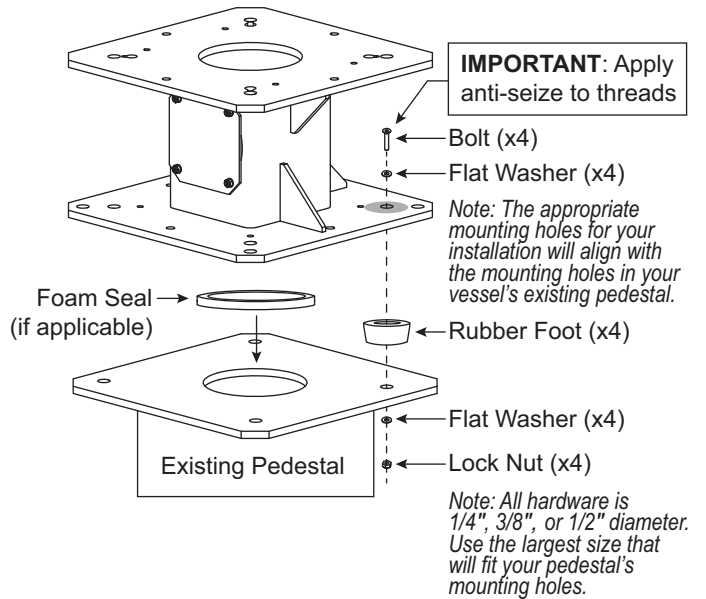


CAUTION

Observe the safe handling instructions in the Material Safety Data Sheet (MSDS) provided with the anti-seize lubricant.

- Apply a thin layer of the supplied anti-seize lubricant to the threads of the selected mounting bolts (see Figure 3).
- At each of the four pedestal adapter mounting holes, place a flat washer on a bolt and insert the bolt into the hole, and through the rubber foot and existing pedestal, from above.

Figure 3: Pedestal Adapter Kit Installation



- Secure each mounting bolt with a washer and lock nut from below (see Figure 3 on [page 2](#)). Then tighten all four bolts to 75 in-lbs (1/4" hardware), 20 ft-lbs (3/8" hardware), or 40 ft-lbs (1/2" hardware) of torque.

Install the KVH Antenna

- If you will run the antenna cables through the center of the pedestal, or outside of the pedestal but through the adapter, remove the four #10-32 lock nuts and washers securing the cable access cover. Then carefully remove the cover and set it aside. **Do not remove the rubber grommet from the cable access hole** (see Figure 4).
- Follow the instructions in the KVH antenna's installation guide to mount the antenna to the pedestal adapter and connect the cables.

IMPORTANT!

Be sure to strain-relieve the cables as explained in the installation guide.

- If you ran the cables through the center of the pedestal and the adapter, reinstall the cover, using the four lock nuts and washers that you removed earlier (see Figure 4). Tighten the nuts to 32 in-lbs of torque.

The installation procedure is complete!

Figure 4: Cable Access Cover Hardware

